

VWT Jig

Universal Electric Wheel Motor Jig

(Part No. TL02095A)

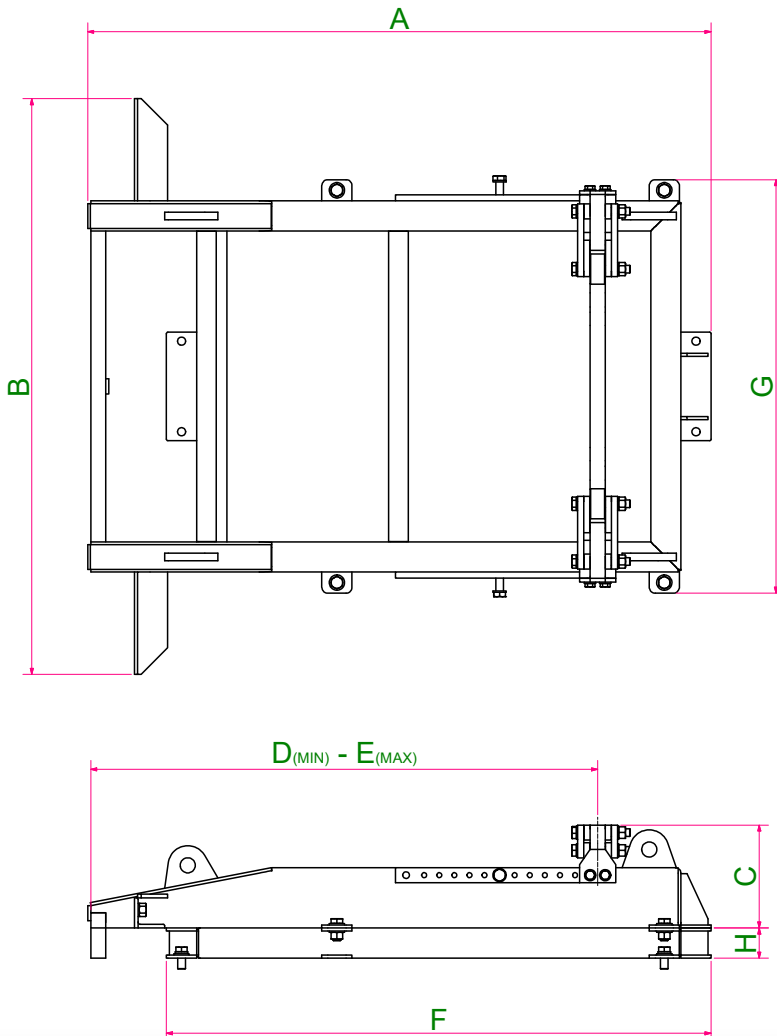


The Trilift® Universal Electric Wheel Motor Jig is designed to assist with the removal and installation of electric wheel motors on trucks and loaders.

The jig is bolted to the Trilift® Variable Work Table and is currently adaptable to suit GE series AC and DC wheel motors including 830-5. The jig is supplied complete with chains and turnbuckles for the retaining of the assembly.

Features and Benefits

- Lifting lugs for ease of handling
- Adjustable rollers for differing size wheel motors
- Safety chains and turnbuckles supplied
- 100mm spacer included



Specifications

The Trilift® Electric Wheel Motor Jig is compliant with the following standards:

- AS 3990 Mechanical Equipment - Steelwork
- AS4991 Lifting devices

Key Operating Data

Working Load Limit	15,000 kg	33,069lbs
Tare weight	530 kg	1,168lbs

Key Dimensions (approximately)

A	Length	2066mm	81in
B	Width	1908mm	75in
C	Height	341mm	13in
D	Cradle carrier min	1130mm	44in
E	Cradle carrier max	1680mm	66in
F	Spacer length	1805mm	71in
G	Spacer width	1370mm	54in
H	Spacer height	100mm	4in

