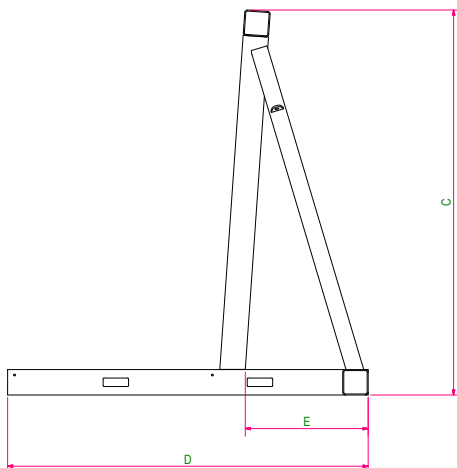
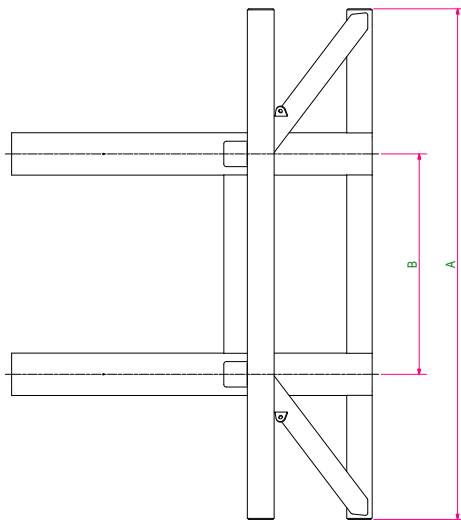


Tyre Stand (Part No. TL14006)

The Trilift® Tyre Stand has been designed as a convenient maintenance tool for the safe, temporary storage of a tyre and/or wheel assembly. This unit will handle tyres and rims up to 15,000kg ranging in size from 27 R49 to 59/80 R63.

Load and unload the Trilift® Tyre Stand using the TH15000 Workshop Tyre Handler or existing tele handling equipment.

Two tie down hooks provide a safer method of securing the wheel assembly to the stand.



Features and Benefits

- Fork lift tyre pockets for positioning of the stand (unloaded)
- Tie down hooks
- Tare weight 1100kg
- W.L.L. 15T
- Suits wheel assemblies from R49 to R63

Key Dimensions

A Overall width	3012mm	118.5in
B Support center width	1300mm	51.1in
C Overall height	2271mm	89.4in
D Overall length	2127mm	83.7in
E Rear length	725mm	28.5in

