

## Manual Ladder 2 (ML2)

The new Safe-Away<sup>®</sup> ML2 Ladder is a manually operated ladder that has been designed as a secondary access option to improve safety for operators and maintenance personnel working with drill rigs or other equipment only requiring simple, manually operated access.

The ML2 can be easily raised or lowered by one person from the deck area via a pull up lever or foot pedal or from the ground via a hand lever. When not in use the ladder is retracted to a vertical position above the ground to reduce the possibility of physical damage. The ML2 provides a convenient secondary access point for emergency egress.



## Specifications

The Safe-Away® ML2 has been designed and manufactured to comply where practicably possible with the relevant sections of the following standards:-

SAE J185\_200305    ISO 2867:2011    ANSI Z535.4-2007  
ANSI A14.2-2007    AS 3868-1991    AS1657-2013

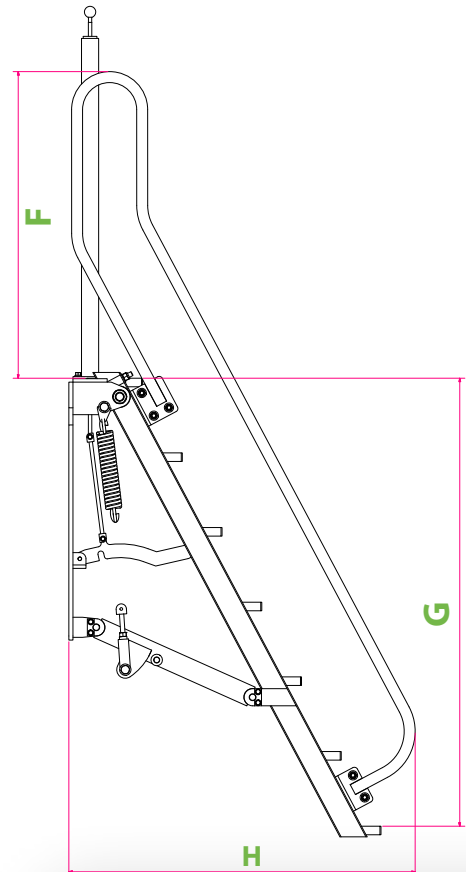
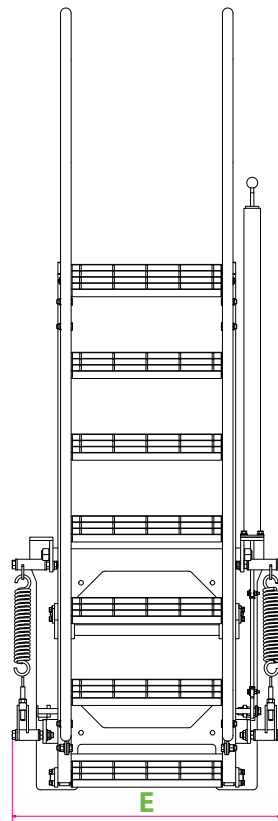
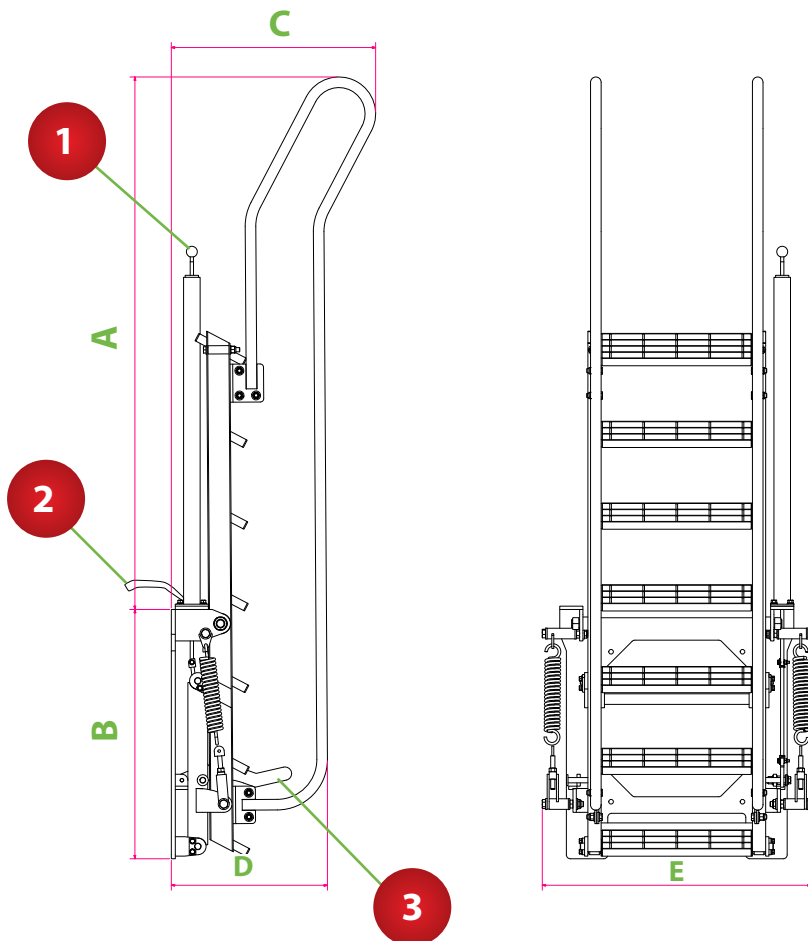
## Improvements

The new Safe-Away® ML2 is supplied complete with handrails and a drilled and tapped mounting plate to enable quick and easy installation onto your equipment. This enhanced design allows for a smoother stairway action.

An **improved spring-loaded locking mechanism** is provided to hold the ladder in the raised position, ensuring that the ladder will not accidentally lower while your equipment is in operation.

The **new spring-loaded locking mechanism** is accessible from:

- 1 the upper landing via a pull up lever, or alternatively
- 2 the upper landing via a foot pedal, and
- 3 the ground level via a hand lever.



### Designed for use on

- Drill Rigs
- Small Earthmoving Equipment
- Equipment up to 1760mm/ 69.2 in deck height

### Ladder Features

- Manual operation
- Pre-assembled and ready to fit
- Easily operated from the ground or deck
- Retracts to vertical position for storage
- Low maintenance - no hydraulics or electrics
- Suitable for emergency egress

### Dimensions (approximately)

A	Handrail height retracted	1715mm	67.5in
B	Mount Height	753mm	29.6in
C	Top handrail width retracted	688mm	27in
D	Lower handrail width retracted	454mm	17.8in
E	Ladder width	793mm	31.2in
F	Handrail height extended	1000mm	39.3in
G	Ladder height extended	1308mm	51.5in
H	Handrail width extended	1067mm	42in