

Belly Pan Hoist Tooling

Cat A-Frame Pin Tool

(Part No. TL10022)

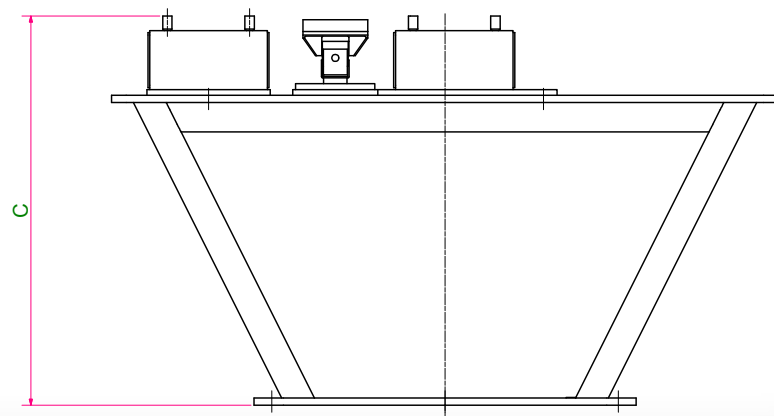
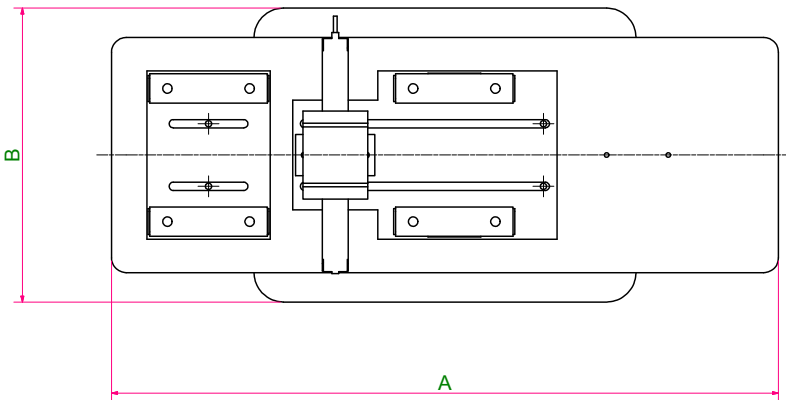
The Trilift® Cat A-Frame Pin Tool is designed for the removal of the A-frame connection pin and mounting blocks that connect the wish bone to the chassis on most Cat trucks. After the bolts have been removed, the wish bone is then lowered onto the chassis rail. The Trilift® Cat A-Frame Pin Tool is then positioned in place for the safe removal and installation of the 2 mounting blocks and A-frame connection pin.

The current method of installation and removal can prove to be a difficult operation as the pin and mounting blocks are heavy and the working environment is confined. The new A-Frame Pin Lifting Tool complements the Trilift® range of Belly Pan Hoist Jigs.

Note: not suitable for Cat 793F trucks.

Key Operating Data

Working Load Limit	881 lbs	40 kgs
Tare Weight	220 lbs	100 kgs



Maintenance Support Equipment

Features

- Eliminates manual handling
- Integrates with Trilift® Belly Pan Hoist (Part No. TL10023)
- Tilt adjustable

The Cat A-Frame Pin Tool Jig is compliant with the following standards:

- AS 3990:1993 Mechanical equipment-steelwork.
- AS/NZS 1554.1:2011 Structural Steel Welding.
- AS 1163:2009 Structural steel hollow sections.
- AS/NZS 1594:2002 Hot-rolled steel flat products.
- AS/NZS 3678:2011 Hot rolled plates, floor plates and slabs.
- AS/NZS 3679.1:2010 Hot-rolled bars and sections.
- AS/NZS 1252:1996 High strength steel bolts with associated nuts and washers for structural engineering

Key Dimensions (approximately)

A Length	45in	1135mm
B Width	20in	500mm
C Height	26in	662mm

