

Variable Work Table XC20

The Trilift[®] Variable Work Table XC20 has been designed in conjunction with task specific jigs to safely handle various components on the new Ultra-class range of mining haul trucks with a carrying capacity in excess of 240 tonnes.



A valuable asset to improve safety and efficiency in all mining and earthmoving workshops

Features

- Narrow foot print
- Work within one bay
- Self-propelled
- Remote controlled
- Rear-wheel drive and steer
- Available in two models:
 1. VWT XC20D which is powered by a self-contained Tier IV pollution rated diesel motor powering the hydraulic pump. (Part No. TL01020)
 2. VWT XC20E which is AC/DC powered offering the choice of 415V AC and 48V DC power (custom voltages are available upon request). (Part No. TL01001)
- The 1.2 inch plate, jig table is pre-drilled and threaded to accept a range of component specific jigs:
 - Multijig XC Tilt Head (Part No. TL02090)
 - Cylinder Handler (Part No. TL02091)
 - Universal Hub and Strut Jig (Part No. TL02048)
 - Universal Electric Wheel Motor Jig (Part No. TL02095)
 - Universal Large Wheel Motor Jig (Part No. TL02093)
 - Universal Rear Wheel Group Jig (Part No. TL02023)
 - Universal Spider Tool (Part No. TL02025)(Specification sheets are available for each of these jigs.)

Functions

- Table manoeuvrability:
 - o Raise (up and down)
 - o Tilt (forward and back, left and right)
 - o Rotation (left and right)
 - o Side shift (left and right)
- In conjunction with the above task specific jigs the table is capable of removing components such as:
 - o Wheel motors
 - o Front hubs
 - o Hoist cylinders
 - o Final drives
 - o Hub and strut assemblies
 - o And more...Please see individual jig sheets for component specific details.



Safety Benefits and Cost Savings

- Provides a safer working environment for all maintenance staff to assist mine maintenance workshops achieve zero harm.
- Allows all bays in the workshop to be utilized to maximise workshop efficiencies.
- Reduces the number of personnel required to perform maintenance tasks freeing up labour for other duties.
- With the introduction of the VWT XC20, the maintenance time of your equipment will be decreased. This means that your equipment will be spending less time in the workshop and more time moving overburden and mineral.
- Eliminates the need for dump body removal.
- Eliminates the need to work under suspended loads.

Precise control

By utilising the latest hydraulic control technology we have developed the VWT XC20 to give the operator precise control and accurate movement. The user-friendly radio remote has proportional control of the hydraulic valves providing the operator with true feel and inch perfect accuracy. By using the remote control the operator has improved visibility and is removed from the danger zone.



Universal appeal

To keep pace with the ever changing developments in heavy machinery design, Hedweld works closely with OEMs to ensure that you have the broadest application for each VWT XC20 and universal jig.

- When an OEM component is unique and cannot be handled by our universal jigs we have OEM specific jigs available eg. Komatsu Front Quarter Jig (Part No. TL02038).



VWT XC20 with the Universal Hub and Strut Jig



VWT XC20 with the Universal Large Wheel Motor Jig

What our customers say

"We really would have no option available if it weren't for the Hedweld tooling. We used to do it the old Barney & Fred way where the last guy cut the bolt loose!"

"Safety is the biggest factor in why we love this tool. Before we used the Hedweld Hub & Strut Jig we used a fork lift, and it would become unstable and teeter totter. We don't know what we would do without this tool." Mine Maintenance personnel from a USA mine - names and location upon request.

Built to last

Hedweld products are designed utilizing the latest computer aided design techniques thus ensuring accurate fits and clearances for prolonged component life.

Hedweld products are fabricated using new high grade steel and a number of components are manufactured using the latest CNC machines and robotics, improving accuracy and ensuring repeatable quality.

Hedweld provides a 12 month warranty for all new equipment.

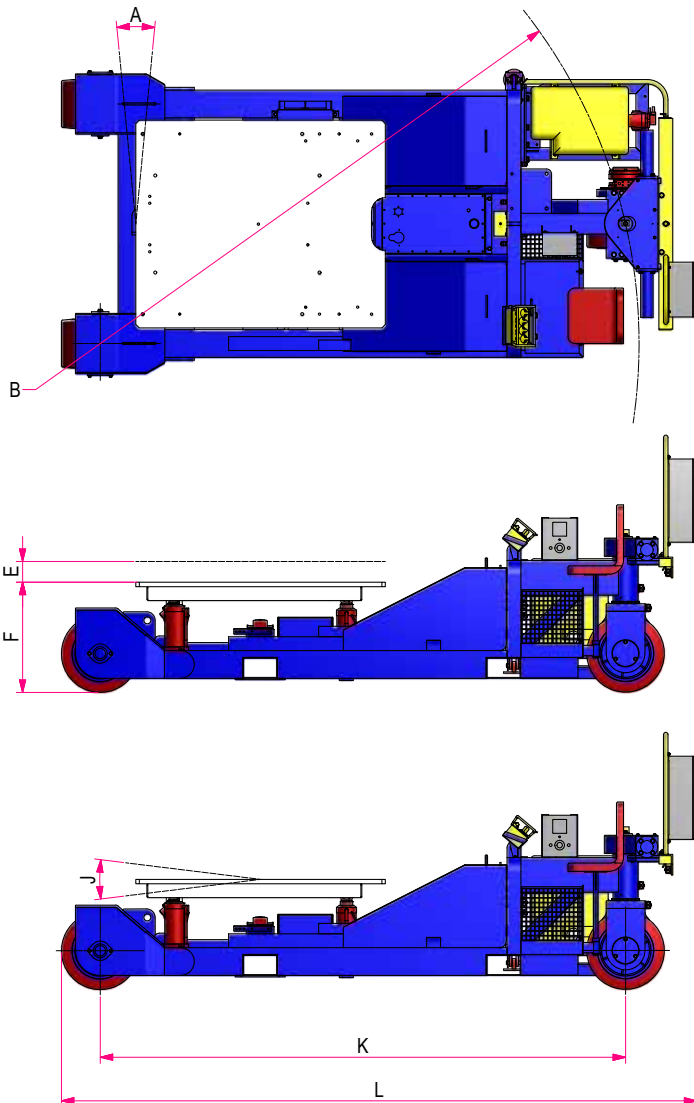
At Hedweld we have a vision that all workshop bays are being used efficiently, utilizing specialised tooling that is purpose built for component handling, with the ultimate outcomes of:

minimizing workplace injuries and maximizing availability.

Specifications

The Trilift® VWTXC20 is compliant with the following standards:

- AS3990-1993 - Mechanical equipment - steelwork
- AS/NZS 1554.1:2011 - Structural Steel Welding
- AS 1418.1-2002 - Cranes, hoists and winches
- AS 1163:2009 - Structural steel hollow sections
- AS/NZS 1594:2002 - Hot-rolled steel flat products
- AS/NZS 3678:2011 - Hot-rolled plates, floor plates and slabs
- AS/NZS 3679.1:2010 - Hot-rolled bars and sections
- AS/NZS 1252:1996 - High strength steel bolts with associated nuts and washers for structural engineering



Key Dimensions (approximately)

A	Table Rotation	11°	-
B	Turning Circle diameter	335in	8500mm
C	Rear Steering Angle Right	15°	-
D	Rear Steering Angle Left	90°	-
E	Vertical Travel	6in	150mm
F	Lowered Table Height	31in	795mm
G	Overall Height	73in	1856mm
H	Side Tilt	16°	-
I	Overall Width	87in	2215mm
J	Forward Tilt	14°	-
K	Wheel Base	149in	3790mm
L	Overall Length	180in	4584mm

Key Operating Data

Working Load Limit	52,910lbs	24,000kg
High Travel Speed	18 feet/min	5.5m/min
Low Travel Speed	9 feet/min	3.0m/min
Tare Weight	11,464lbs	5,200kg
Hydraulic Relief Pressure	1650psi	114 bar (11.4 Mpa)
Pump Capacity	4 gal/min	15 liters/min
Hydraulic Reservoir Capacity	12 gal	44 liters
Engine	Hatz 2L 41C	-
Electrical Control	28V/48V DC	-
Battery	12V	-
Fuel Tank Capacity	12 gal	44 liters

