

# Belly Pan Hoist Tooling Component Balance Tool

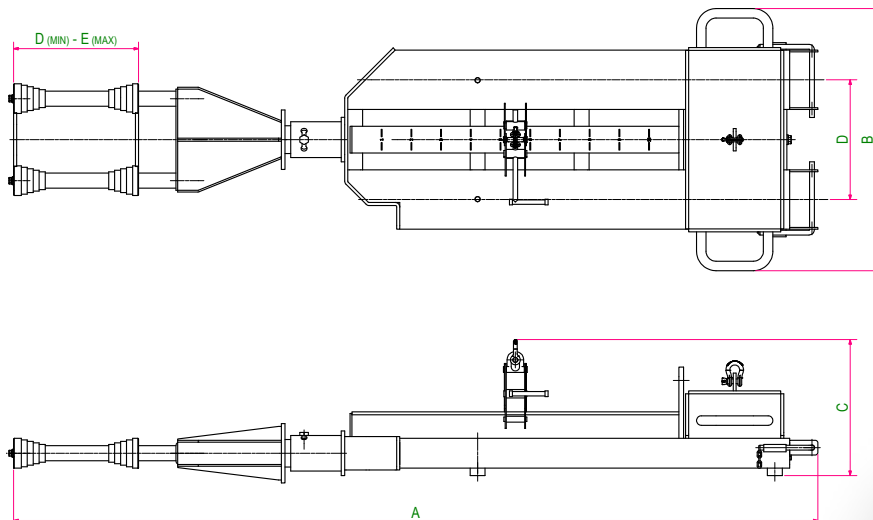
(Part No. TL11001)

The Trilift® Component Balance Tool has been developed to assist in the removal of components such as track rollers, haul truck axles and inspection covers. The Trilift® Component Balance Tool is easily mounted to the top of the Trilift® Belly Pan Hoist (Part No. TL10023) and is an excellent addition to existing tooling.

The Trilift® Component Balance Tool includes a Track Roller Adapter (Part No. HW75363) to assist in the removal of track rollers. This adapter can be easily adjusted to fit a wide range of track rollers. The adjustable red spacers allow for worn rollers to sit accurately in the adapter for safe removal. The Trilift® Track Roller adapter also allows for a 30° angle adjustment.



The Component Balance Tool also includes an Axle Adapter (Part No. HW75366) to assist in the removal of axle.



Maintenance Support Equipment

## Features

- 3 methods of handling:
  - Trilift® Belly Pan Hoist
  - Crane
  - Forklift
- Eliminates manual handling
- Adjustable for range of component weights

## Key Operating Data

Working Load Limit	300 kgs	661 lbs
Tare Weight	500 kgs	1102 lbs

The Component Balance Tool is compliant with the following standards:

- AS 3990-1993 Mechanical equipment—Steelwork.
- AS/NZS 1554.1-2011, Structural Steel Welding.
- AS 1418.1-2002 Cranes, hoists and winches.
- AS 1163- Structural steel hollow sections.
- AS/NZS 1594, Hot-rolled steel flat products.
- AS/NZS 3679, Structural Steel.

## Key Dimensions

A Length	2706mm	107in
B Width	882mm	35in
C Height	458mm	18in
D Tyne pocket width	403mm	16in
E Adjustable slider min	215mm	8in
F Adjustable slider max	545mm	21in