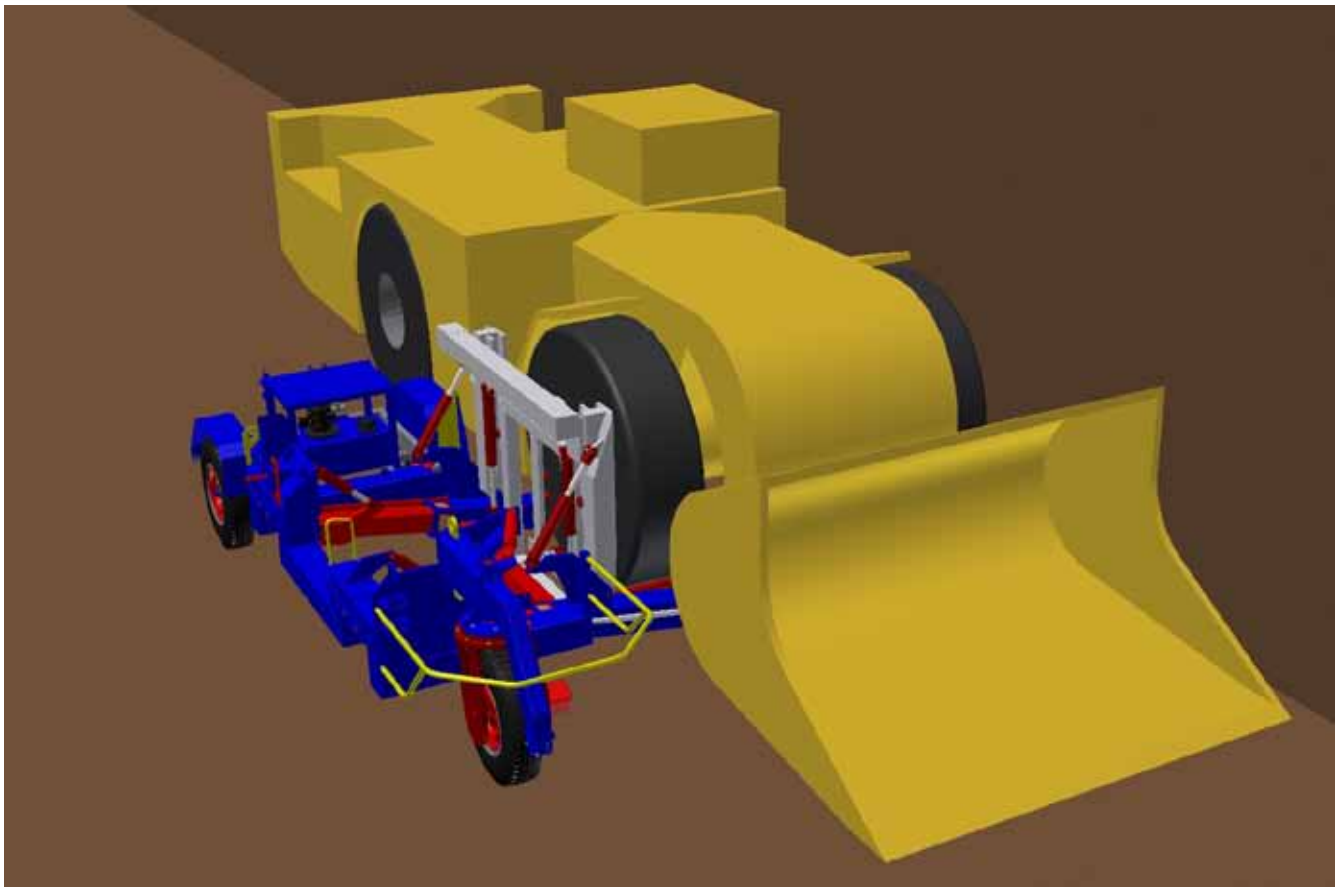


## TH2000 Tyre Handler

The TH2000 Tyre Handler has been designed to provide a maintenance tool for the safe removal and installation of tyres from a range of earthmoving and plant equipment. This tool has been developed to be used on rough terrain and is suitable for both underground and surface use. (Part No. TL14005)

This fully self-contained remote controlled unit will handle tyres and rims up to 2000kg, 1400mm diameter and 500mm wide.





## Features

- Suitable for underground or surface use
- Narrow foot print
- Self-propelled
- Remote controlled
- Retractable jig support arms for stability
- Solid filled all-terrain tyres
- Two power options: diesel or pneumatic

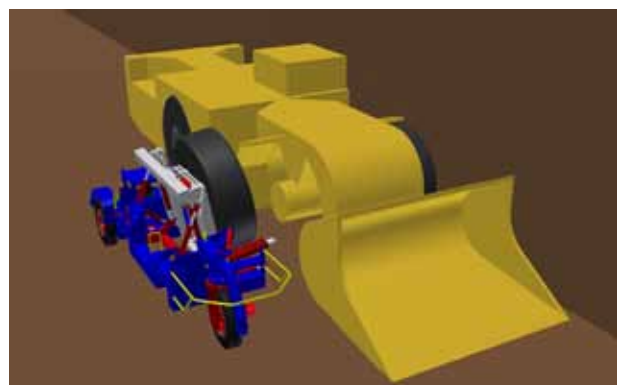
## Functions

- Handle tyres up to 2000kg, 1400mm diameter and 500mm wide
- Tyre manipulation:
  - Raise and lower
  - Side shift
  - Tilt forward/back

*See page 4 for details*

## Safety Benefits and Cost Savings

- Provides a safer working environment for all maintenance staff to assist mines to achieve zero harm.
- Enables changing of tyres in situ to maximise efficiencies.
- Reduces the number of personnel required freeing up labour for other duties.
- With the introduction of the TH2000, the maintenance time of your equipment will be decreased. This means that your equipment will be spending less time in the workshop and more time moving overburden and minerals.



## Precise control

By utilising the latest technology we have developed the TH2000 Tyre Handler to give the operator precise control and accurate movement. The user-friendly radio remote provides the operator with true feel and millimetre perfect accuracy. By using the remote control the operator has improved visibility and is removed from the danger zone.



## Built to last

Hedweld products are designed utilising the latest computer aided design techniques thus ensuring accurate fits and clearances for prolonged component life.

Hedweld products are fabricated using new high grade steel and a number of components are manufactured using the latest CNC machines and robotics, improving accuracy and ensuring repeatable quality.

Hedweld provides a 12 month warranty for all new equipment.

See this innovation in action on

<http://www.hedweld.com.au/trilift/tyre-handlers/th2000>

or on youtube.com - search for TH2000

## Optional equipment: Transport Trailer

To enable the TH2000 to be transported more rapidly over greater distances, a trailer with a 40mm drawbar is available. With the trailer attached to the towing vehicle, a hydraulically operated ball coupling lifts the drive wheel of the TH2000 off the ground. **Note:** the hydraulic lift is driven from the auxiliary hydraulic outlet on the TH2000.



At Hedweld we have a vision that all maintenance operations are more efficient, with specialised tooling that is purpose built for component handling, with the ultimate outcomes of:

**minimising workplace injuries and maximising availability.**

## Specifications

The Trilift® TH2000 is compliant with the following standards:

- AS 3990:1993 Mechanical equipment-steelwork.
- AS/NZS 1554.1:2011 Structural Steel Welding.
- AS 1418.1:2002 Cranes, hoists and winches.
- AS 1163:2009 Structural steel hollow sections.
- AS/NZS 1594:2002 Hot-rolled steel flat products.
- AS/NZS 3678:2011 Hot rolled plates, floor plates and slabs.
- AS/NZS 3679.1:2010 Hot-rolled bars and sections.
- AS/NZS 1252:1996 High strength steel bolts with associated nuts and washers for structural engineering.

### Key Operating Data

Safe Working Load	2000kg	4409lbs
Tare Weight	2500kg	5511lbs
Speed	0-17m/min	
Handles tyres up to 2000kg, 1400mm diameter & 500mm wide		
Mode of operation Diesel/hydraulic or pneumatic/hydraulic		

### Key Dimensions

A	18°	-
B	90°	-
C	90°	-
D	90°	-
E	5464mm	215 inch
F	203mm	8 inch
G	3724mm	147 inch
H	747mm	29 inch
I	1119mm	44 inch
J	870mm	34 inch
K	3431mm	135 inch
L	27°	-
M	1090mm	43 inch

