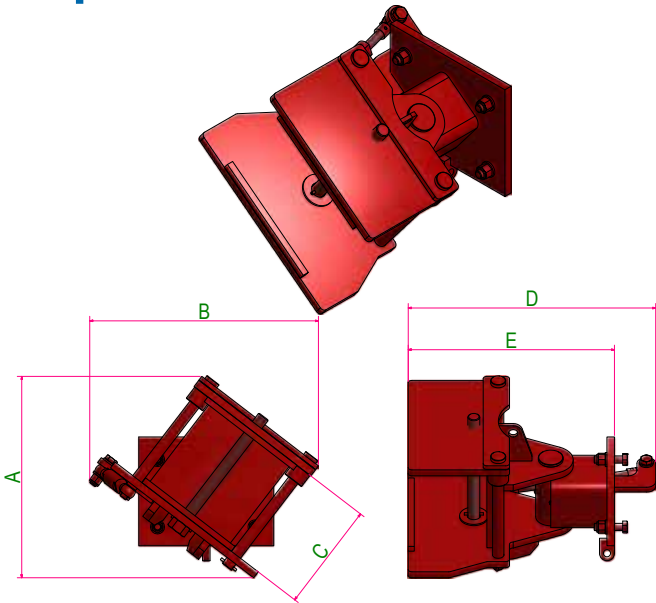




# Specifications



## Key Operating Data & Dimensions

Tare Weight	75kg	165 lbs
Working Load Limit	1,000kg	2,204 lbs
A Overall Height	537mm	21.1in
B Overall Width	610mm	24.0in
C Jaws Maximum Width	289mm	11.3in
D Overall Length	550mm	21.6in
E Quick Hitch Reach	660mm	25.9in

The Rear Suspension Link Jig is compliant with the following standards:

- AS 3990-1993 Mechanical Equipment—Steelwork.
- AS/NZS 1554.1-2004, Structural Steel Welding.
- AS 1418.1-2002 Cranes, hoists and winches.
- AS 1163- Structural steel hollow sections.
- AS/NZS 1594, Hot-rolled steel flat products.
- AS/NZS 3679, Structural Steel.
- AS/NZS 1252 High strength steel bolts with associated nuts and washers for structural engineering.



Cat F Series Rear Suspension Link location



Komatsu Stabiliser Arm location



Hitachi Stabiliser Arm location



Other makes and models are also suitable eg: Liebherr MT400, speak to our Sales Team for more information.