

VWT Jig

Universal Large Wheel Motor Jig (Part No. TL02093)

The Trilift® Universal Large Wheel Motor Jig is bolted to the Trilift® Variable Work Table XC20/25/30 and used to assist with the removal and installation of large AC wheel motors on most makes and models of ultra-class trucks (with pay loads in excess of 240 tonne).

The Trilift® Universal Large Wheel Motor Jig is fitted with fork lift tine recesses so that the jig can be used as a transportation frame. The jig is supplied complete with chains and turnbuckles for the retaining of the assembly.



Features and Benefits

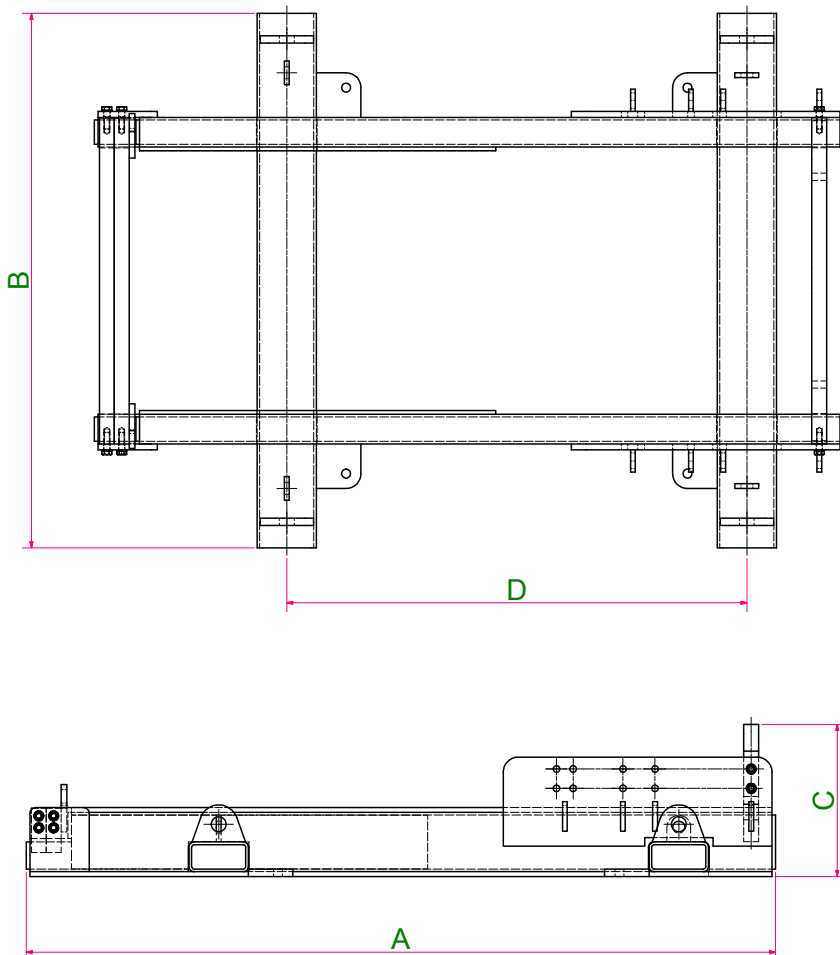
- Forklift tine pockets & lifting lugs for ease of handling
- Adjustable for varying size wheel motors
- Safety chains supplied

Key Operating Data

Working Load Limit	28,000 kg	61729.4lbs
Tare weight	930 kg	2050.3lbs

Key Dimensions (approximately)

A	Length	2524mm	99in
B	Width	1800mm	71in
C	Height	512mm	20in
D	Fork tyne pocket width	1550mm	61in



Specifications

The Trilift® Large Wheel Motor Jig is compliant with the following standards:

- AS 3990:1993 - Mechanical Equipment Steelwork
- AS/NZS 1554.1:2004 - Structural Steel Welding
- AS 1418.1-2002 - Cranes, Hoists and Winches
- AS 1163 - Structural Steel Hollow Sections
- AS/NZS 1594 - Hot Rolled Steel Flat Products
- AS/NZS 3679 - Structural Steel
- AS/NZS 3679.1:2011 - Hot Rolled Bars and Sections
- AS/NZS 1252 High strength steel bolts with associated nuts and washers for structural engineering



HWTL00066 20112013