

VWT Jig

Komatsu Front Quarter Jig

(Part No. TL02038)

The Trilift® Komatsu Front Quarter Jig has been developed to assist maintenance crews in the removal and replacement of the front strut and hub assemblies from Komatsu HD785 trucks.

The jig base is fitted with forklift tine pockets and crane lifting points, to provide an ideal transportation frame for the hub and strut assembly once the jig is removed from the Trilift® VWT.



Features and Benefits

- Lifting lugs and forklift tyne pockets for ease of handling
- Safety chains and turnbuckles supplied

Key Operating Data

Working Load Limit	3,000kg	6614lbs
Tare weight	510kg	1124lbs

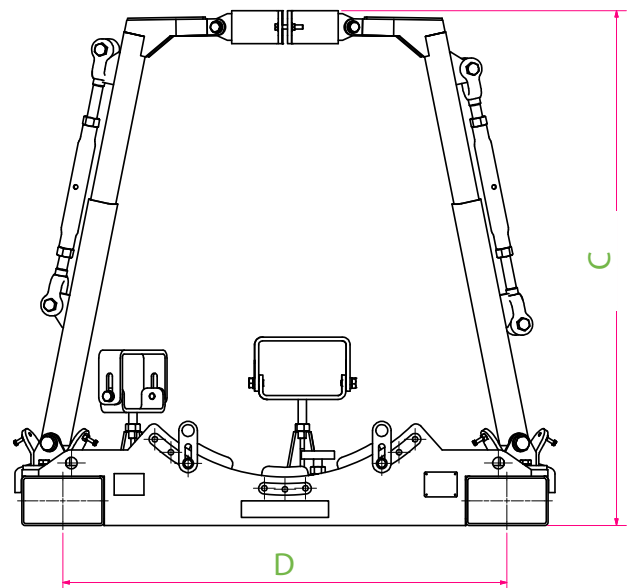
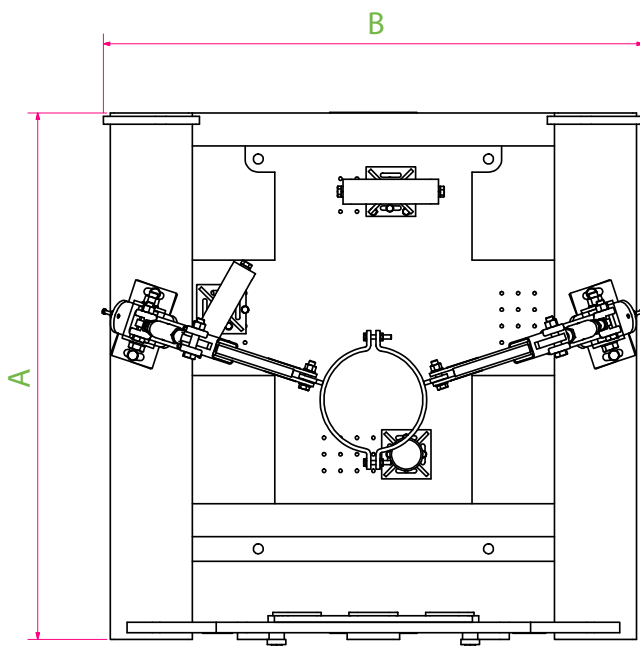
Key Dimensions (approximately)

A Length	1600mm	63in
B Width	1642mm	65in
C Height	1555mm	61in
D Fork Tyne Width	1350mm	53in

Specifications

The Komatsu Front Quarter Jig is compliant with the following standards:

- AS 3990:1993 Mechanical equipment-steelwork.
- AS/NZS 1554.1:2004 Structural Steel Welding.
- AS 1163 Structural steel hollow sections.
- AS/NZS 1594 Hot-rolled steel flat products.
- AS/NZS 3679 Structural steel.
- AS/NZS 3679.1 Hot-rolled bars and sections.
- AS/NZS 1252 High strength steel bolts with associated nuts and washers for structural engineering.



HWTL00071_20112013