

# VWT Jig

## Universal Hub & Strut Jig

(Part No. TL02048)

The Trilift® Universal Hub & Strut Jig has been developed to assist maintenance crews in the removal and replacement of front strut and hub assemblies from large trucks.



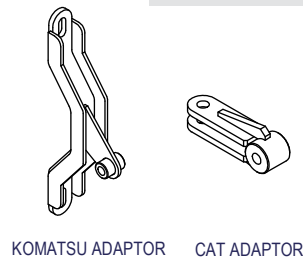
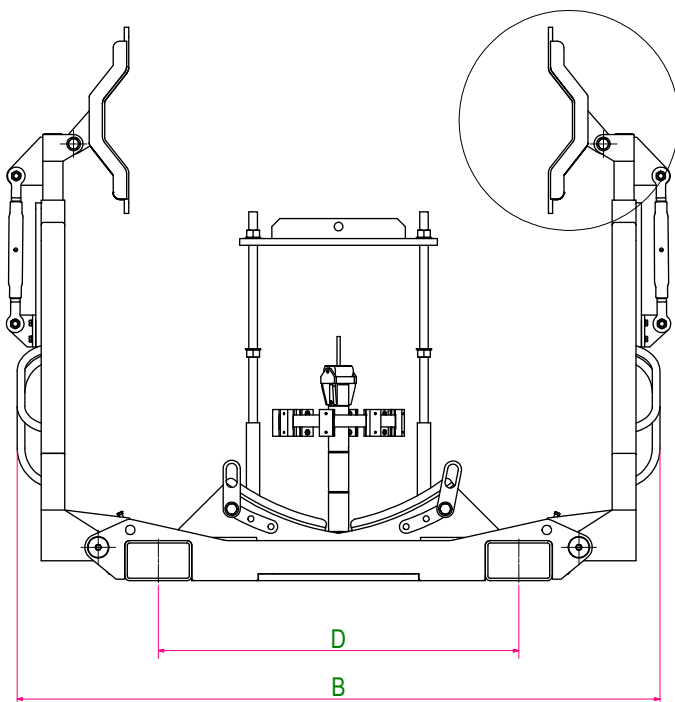
The Universal Hub & Strut Jig can be adjusted to provide support for:

1. Komatsu 730, 830, 930 and 960 front strut and hub assemblies.
2. Caterpillar 777, 785, 789, 793, 795 and 797 front strut and hub assemblies.

## Specifications

The Trilift® Universal Hub & Strut Jig is compliant with the following standards:

- AS 3990:1993 Mechanical equipment-steelwork.
- AS/NZS 1554.1:2004 Structural Steel Welding.
- AS 1418.1-2002 Cranes, hoists and winches.
- AS 1163 Structural steel hollow sections.
- AS/NZS 1594 Hot-rolled steel flat products.
- AS/NZS 3679 Structural steel.
- AS/NZS 3679.1 Hot-rolled bars and sections.
- AS/NZS 1252 High strength steel bolts with associated nuts and washers for structural engineering.



### Features and Benefits

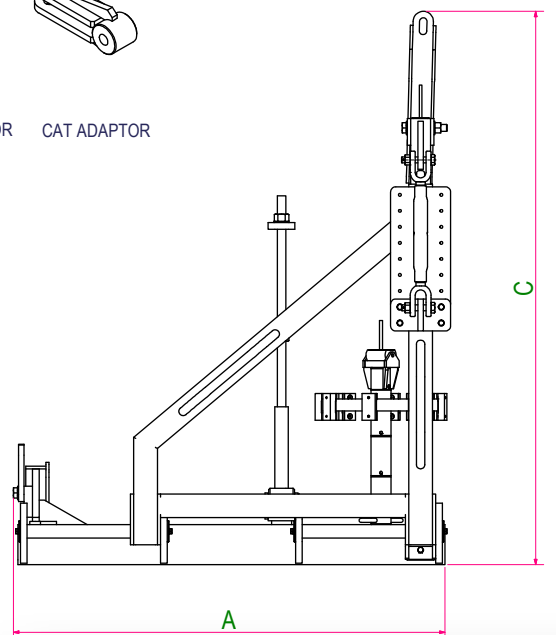
- Lifting lugs and forklift tine pockets for easy handling
- Ideal for use as a transport frame
- Adjustable for a wide range of trucks

### Key Operating Data

Working Load Limit	10,000 kg	22046lbs
Tare weight	1110 kg	2447lbs

### Key Dimensions (approximately)

A	Length	1615mm	64in
B	Width	2405mm	95in
C	Height	2070mm	82in
D	Tyre Pocket Width	1350mm	23in



HWT00048 2011/2013