

# VWT Jig

## Universal Electric Wheel Motor Jig (Part No. TL02095)

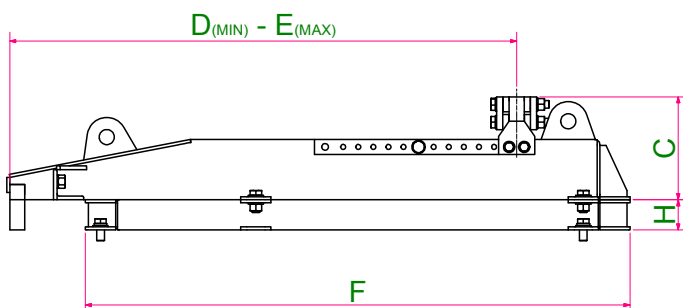
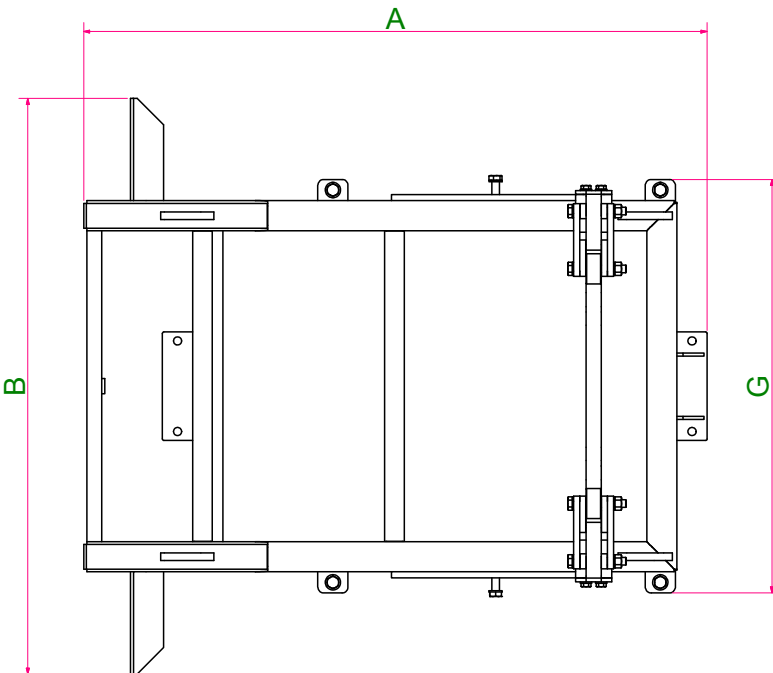


The Trilift® Universal Electric Wheel Motor Jig is designed to assist with the removal and installation of electric wheel motors on trucks and loaders.

The jig is bolted to the Trilift® Variable Work Table and is currently adaptable to suit GE series AC and DC wheel motors. The jig is supplied complete with chains and turnbuckles for the retaining of the assembly.

### Features and Benefits

- Lifting lugs for ease of handling
- Adjustable rollers for differing size wheel motors
- Safety chains and turnbuckles supplied



## Specifications

The Trilift® Electric Wheel Motor Jig is compliant with the following standards:

- AS 3990 - 1993 - Mechanical Equipment Steelwork
- AS/NZS 1554.1:2004 - Structural Steel Welding
- AS 1418.1-2002 - Cranes, Hoists and Winches
- AS 1163 - Structural Steel Hollow Sections
- AS/NZS 1594 - Hot Rolled Steel Flat Products
- AS/NZS 3679 - Structural Steel
- AS/NZS 3679.1:2011 - Hot Rolled Bars and Sections
- AS/NZS 1252 High strength steel bolts with associated nuts and washers for structural engineering

### Key Operating Data

Working Load Limit	12,500 kg	27557.75lbs
Tare weight	390 kg	859lbs

### Key Dimensions (approximately)

A	Length	2066mm	81in
B	Width	1908mm	75in
C	Height	341mm	13in
D	Cradle carrier min	1680mm	66in
E	Cradle carrier max	1130mm	44in
F	Packer(s) length	1805mm	71in
G	Packer(s) width	1370mm	54in
H	Packer height	100mm	4in