

Belly Pan Hoist Tooling

Slope Jig (Part No. TL10006)

To allow for the sloping bottom of some belly pans and sumps, Hedweld have developed a jig which bolts onto the turntable of the Trilift® Belly Pan Hoist (Part No. TL10023), to enable safer raising and lowering of the pan. The device has a hinged frame, which is raised or lowered to vary the angle, by using a screw actuator.

Key Operating Data

Working Load Limit	700 kgs	1543 lbs
Tare Weight	90 kgs	198 lbs

Key Dimensions

A	Length	950mm	37in
B	Width	650mm	26in
C	Height	170mm	7in
D	Base-frame width	420mm	17in
E	Tilt angle	32 degrees	-

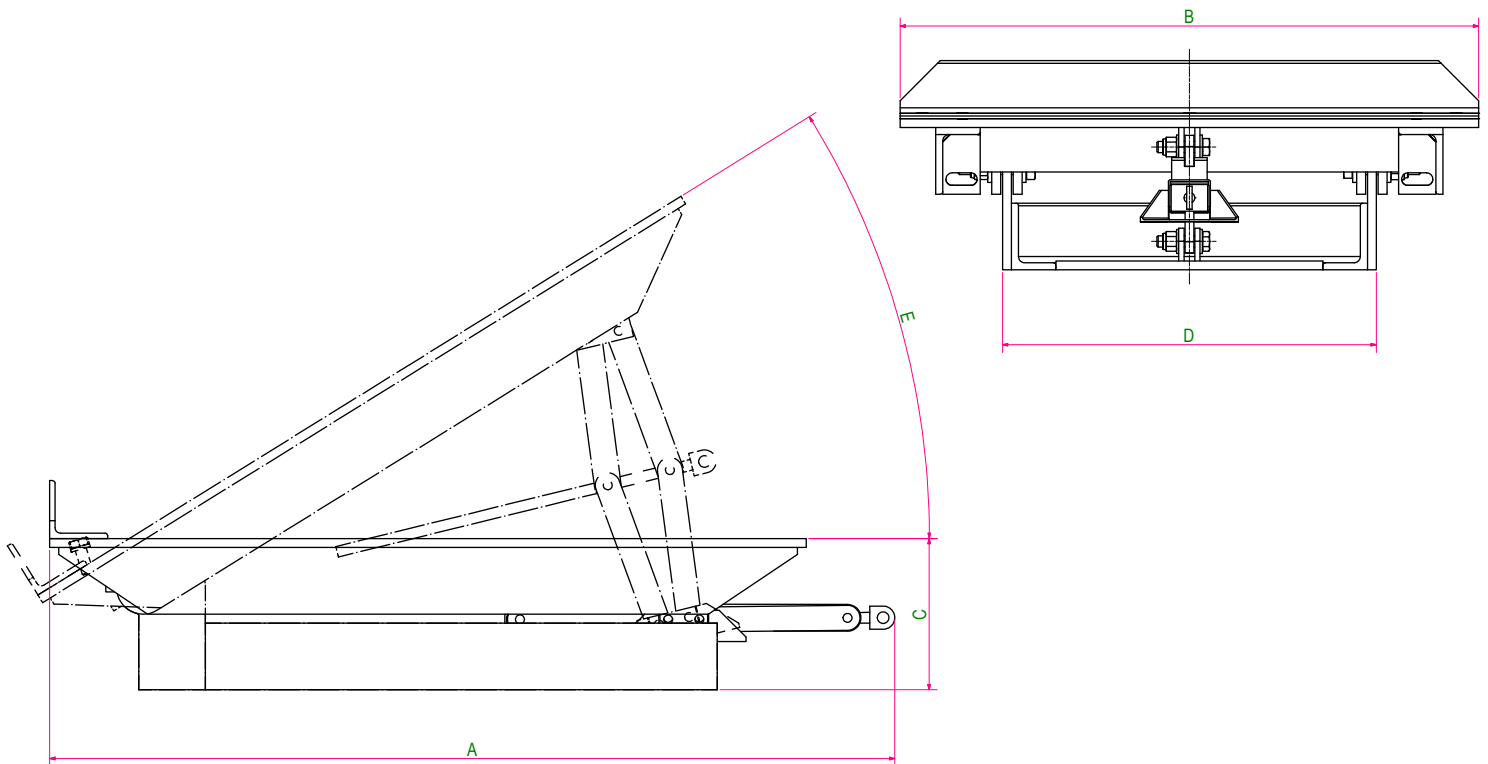
Trilift[®]

Maintenance Support Equipment



The Slope Jig is compliant with the following standards:

- AS 3990-1993 Mechanical equipment-steelwork.
- AS/NZS 1554.1:2011 Structural Steel Welding.
- AS/NZS 3678:2011 Hot-rolled plates, floor plates and slabs
- AS/NZS 3679.1:2010 Hot-rolled bars and sections.
- AS/NZS 1163:2009 Cold formed structural steel hollow sections.
- AS/NZS 1252:1996 High strength steel bolts with associated nuts and washers for structural engineering



HWT00036_2 21052014