

## EL-24H

The Safe-Away<sup>®</sup> EL-24H Electric Ladder Access System has been specifically designed to provide safe and convenient access for operators and maintenance personnel accessing Cat 24H graders.

Without the need for a hydraulic power pack the electric ladder raises to a safe position when the vehicle is in motion. They are easy to install and utilise a simple on board control system without compromising the safety features you expect of Safe-Away<sup>®</sup> Access Systems.

Easy to  
operate &  
competitively  
priced



# Safety & Efficiency

The **Safe-Away® EL-24H** has been specifically designed to provide:

- A 62° ladder offering safer access and egress while carrying tools.
- A design to raise safely out of the way while the vehicle is in motion.
- Fixed handrails to give three points of contact.
- Easy installation.
- Low maintenance.
- No hydraulics.
- Compact designs.
- Safe and user friendly.
- Cost effective.



## Ladder Features



- **Boarding Light and Wiring Harness Kit.** The LED boarding light will stay on for an adjustable/preset period.



- Incab **touch screen** controlling the up and down ladder functions with a battery charge display.
- The **DVC710** is the master control for the electric ladder input/out and is located with the **Electrical Control Module (ECM)**.
- The DVC710 is encapsulated in the ECM **stainless steel box** to withstand harsh operating environments.
- A **park brake interlock** provides additional protection by ensuring the ladder is raised automatically when the park brake is released.
- **Batteries** power the ladders. The host equipment's main power recharges these batteries when host is in use.

## ECM Functions

- The **state of charge** is regulated by the DVC710.
- The **operational voltage** is 24VDC with a maximum current draw of 12A.
- The DVC710 has its own Controller Area Network (CAN) which is used by the Incab Controller.
- The system is **compatible with all CAN-BUS** and J1939 components.
- Reverse polarity protection.
- Status LED indicator.



# Designed to suit your fleet

This **Safe-Away® EL-24H Ladder** retraction mechanism consists of linkage arms, which enables the lower ladder to fold up upon the upper ladder section.

The EL-24H Ladder has the following features:

- Ladder assembly and handrails
- 24V electric actuator
- Mounting brackets specially designed to fit the Cat 24H grader
- Another safety addition is the door safety switch which is connected to the cab door to ensure the ladder doesn't operate when the door is opened.



EL-24H Electric Ladder shown above in the retracted position. This picture shows you the specialised mounting brackets.



The image left shows the EL-24H Electric Ladder in the extended position. From this angle you can clearly see the Boarding Light.

## Optional extras

### 1. Additional Raise and Lower Control Panel Kit



A remotely mounted control panel designed to enable the raise and lower operation from outside of the vehicle's cab, or at a position accessible from ground level. Encased in protective aluminium box.

2. An **Emergency Stop** can be fitted to stop the ladder at any point in the raise/lower cycle. Motion can be resumed by pressing a directional button.

3. An external **Audible Alarm Kit** is activated by pressing the up or down directional switch.



4. An optional **Inhibit Kit** can be used to control vehicle functions such as (but not limited to) slew and propel on excavators, propel on electric drive trucks and blade inhibit on graders.

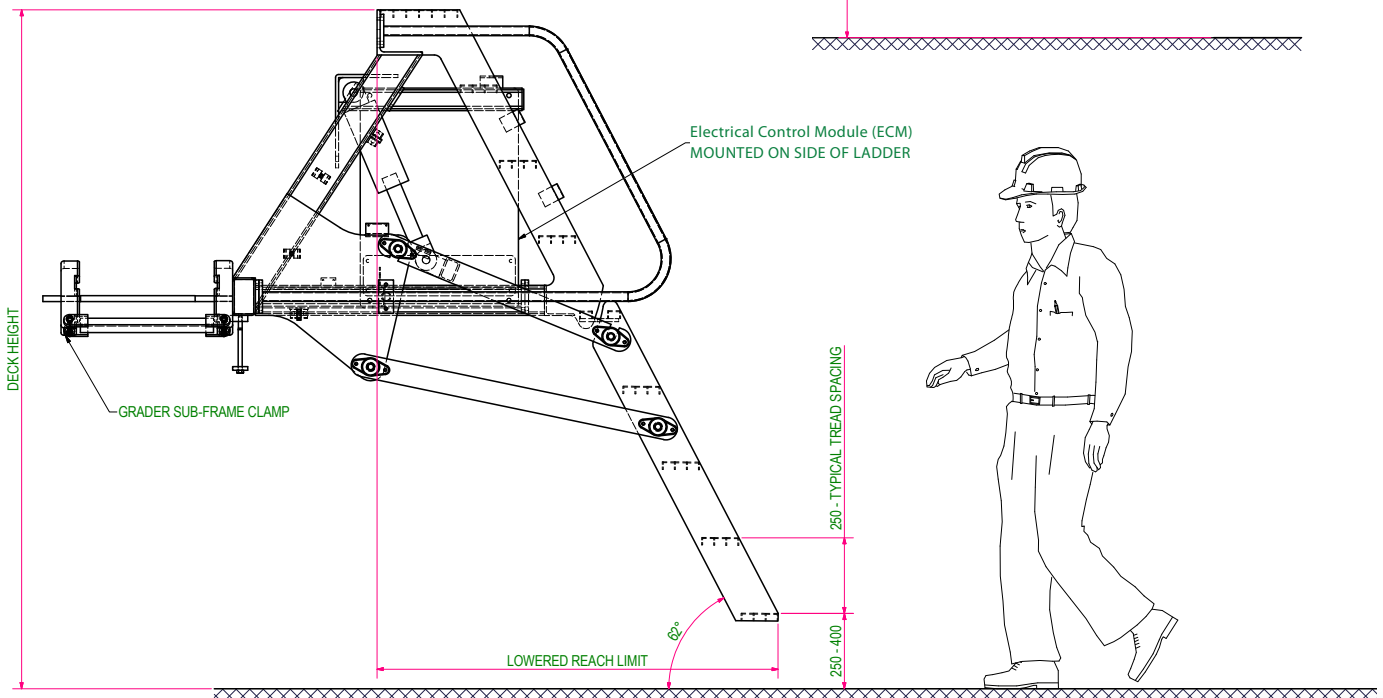
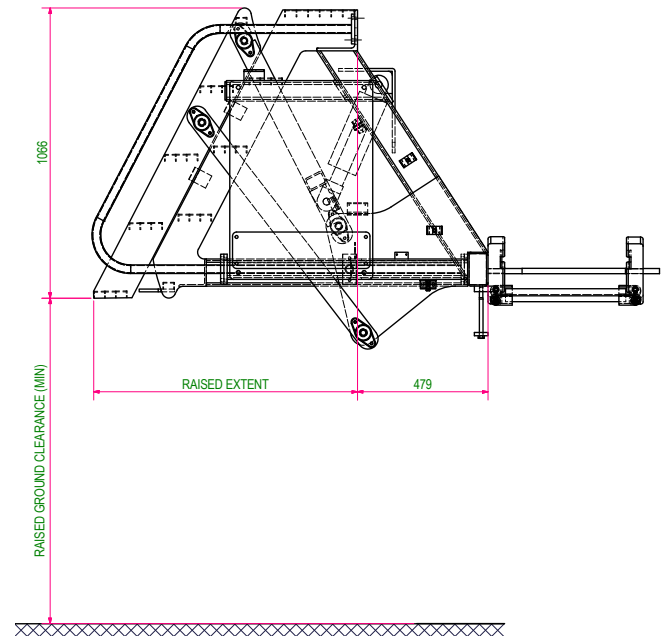
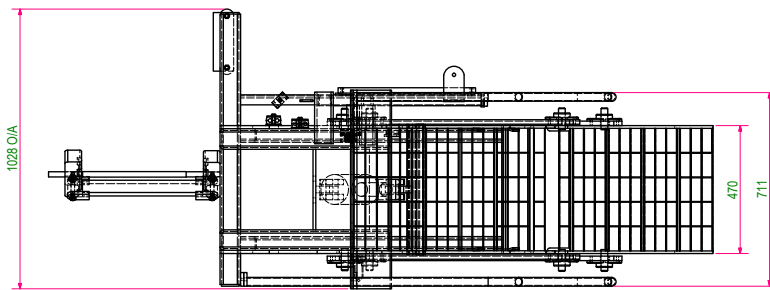


# Specifications

This Safe-Away® EL-24H has been designed and manufactured to comply with the relevant sections of the following standards:-  
SAE J185\_200305    ISO 2867:2011    ANSI Z535.4-2007    ANSI A14.2-2007    AS 3868-1991

## EL-24H Dimensions

Steps	Deck Height Maximum	Lowered Reach Limit	Raised Ground Clearance Minimum	Raised Extremity
9	2404mm 94.6in	1331mm 52.4in	1195mm 47.0in	969mm 38.1in



MHG00255 19012016