

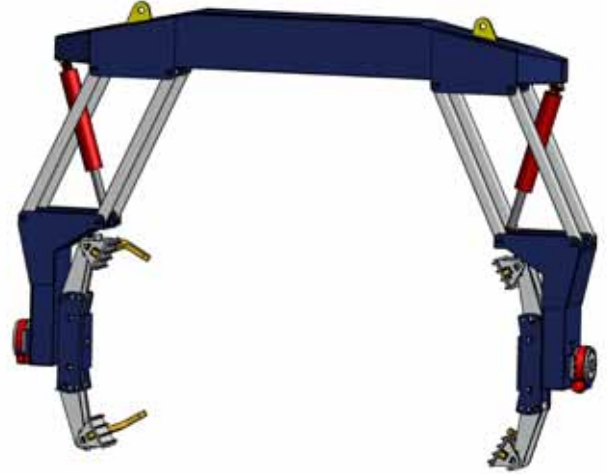
CR20000 Component Rotator

(Part No. TL14100)

The Trilift® CR20000 Component Rotator has been designed and manufactured to enable the handling and rotation of various components including large earthmoving wheel assemblies, final drives, dozer track frames, wheel motors etc.

Working in conjunction with an existing workshop overhead crane, this remote controlled Tier IV pollution rated diesel powered unit allows maintenance staff to safely and efficiently lift and rotate components within the confines of a single workshop bay.

When used with the Trilift® TH15000 Workshop Tyre Handler, the Trilift® CR20000 Component Rotator can safely handle wheel assemblies from large earthmoving and mining equipment.



Features and Benefits

- Diesel/hydraulic powered
- Remote controlled
- 20,000kgs/44,092 lbs W.L.L.
- Utilises overhead crane
- Handles a range of components using adaptors
- Load and unload directly from the TH15000

Key Operating Data

Working Load Limit	20,000kg	44,092lbs
--------------------	----------	-----------



Tyre rotation up to 20T



Dozer Track Frame rotation for safer maintenance

Wheel Motor rotation

